



Labelling machines in the HERMA modular system.

Customised to your requirements.



M series

Labelling to the highest standards – that's the HERMA M series

Speed, precision and technical perfection. The HERMA M series is used where maximum productivity is required. As a standalone or inline solution, it provides maximum reliability for two-sided or wrap-around labelling.



E series

Powerfully balanced – the HERMA E series

Combines the stability and efficiency of the larger M series with the space requirements of the smaller C series. Fast, robust, compact - and an excellent price/performance ratio. It offers the best of both worlds.



HERMA 400 – The centre piece of all HERMA labelling machines



C series

Concentrating on the basics – the HERMA C series

Reliable high performance when space and cost are at a premium. For side, bottom, top and wrap-around labelling. Straightforward, with optional expandable modules available at very short notice. The option which simply does the job.



Semi-automatic models

Precise work for small batches – the HERMA H series of semi-automatic models

Labelling small batches efficiently, keeping the costs down yet with no loss of precision: the robust range of HERMA semi-automatic dispensers are the perfect solution. HERMA has semi-automatic models for flat, wrap-around and two-sided labelling.



Dispenser

Perfect labelling in next to no time– the HERMA D series dispensers

Even manual labelling becomes practical, quick and above all easy, whether labelling products, decorative labels or effective brief information. With the practical D series range of manual dispensers from HERMA, labels can be produced efficiently and cost-effectively even in small amounts.



Special systems

Individually customised – special solutions from HERMA

The modular nature of HERMA machinery means that even special "bespoke" machines can be produced within a viable budget. Contact us and we'll find a solution..



Labelling to the highest standards – HERMA M Series

Speed and precision. Technical perfection. The HERMA M series is used where maximum productivity is required. As a standalone or inline solution, it provides maximum reliability for two-sided or wrap-around labelling. Thanks to its modular design, it won't break your budget either.

HERMA 040 M: Extremely precise wrap-around labelling

- > With intermittent mode operation (approx. 200 products per minute)
- > High-speed labelling of cylindrical packaging up to 110 millimetres
- > Intermittent mode allows different labels to be applied to a product (double labelling)
- > Height error tolerance only +/- 0.5 mm – even at high speed
- > User-friendly, short retooling times and easy format change



HERMA 040 M

HERMA 132 M: Wrap-around labelling at maximum speed

- > The high-performance specialist for wrap-around labelling
- > Continuous starwheel operation for up to 400 products per minute
- > Upgraded models for the pharmaceutical industry



HERMA 132 M Pharma



HERMA M Series

HERMA 362 M: Precise two-sided labelling

- > Maximum precision for two-sided labelling, even at high outputs
- > Ideal for labelling complex, irregularly shaped products
- > Maximum flexibility thanks to separate, easy-to-fit additional modules and operation in standalone or inline mode
- > Simple handling thanks to intuitive touch panel and optimum accessibility of all components



HERMA 362 M



Powerfully balanced – the HERMA E Series

The new series of models combines the stability and efficiency of the larger M series with the space requirements of the smaller C series. The various optional extra modules are designed to be installed in a short time, therefore also minimising costs.

HERMA 362 E - side labelling

- > Fast, robust, compact
- > Excellent price/performance ratio
- > No need for a protruding protective hood
- > Optional wrap-around labelling



HERMA 362 E



Concentrating on the basics – the HERMA C Series

Reliable high performance when space and cost are at a premium. For side, bottom, top and wrap-around labelling. Straightforward, with optional expandable modules available at very short notice. The option which simply does the job.

Wrap-around labelling HERMA 152 C Standard

- > Cost-effective
- > Available at very short notice
- > Can be fitted with printer units
- > With application belt



HERMA 152 C Prisma

- > For timed product feed
- > With roller prism and roller-type separator
- > Precise labelling even where shapes vary
- > Easy to adapt to different product sizes thanks to freely adjustable roller prism



Top/bottom labelling HERMA 452 C, 552 C, 652 C

- > Fully automatic top labelling (452 C) or bottom labelling (552 C) or top and bottom labelling in a single cycle with the model 652 C
- > The basis for success: the HERMA 400 labeller



Side labelling HERMA 362 C

- > Precise, stable, without change parts
- > Quick and easy to retool
- > Based on one or two HERMA 400 modules
- > Product stabilisation option with synchronised top belt





Precise application on small batches – HERMA semi-automatic models

HERMA 414 – for flat labelling

- > Moving beak for exceptional precision
- > Ideal for flat or curved surfaces
- > Proven for labelling on ridges, recesses or over edges



HERMA 211 – for wrap-around labelling

- > Robust and ideally suited to continuous operation
- > Ideal for cylindrical products such as tubes, bottles or ampoules



HERMA 311 – semi-automatic two-sided labelling system

- > Unique in its field: simultaneous labelling of both sides, even for small batches
- > Automatic, synchronous product fixing
- > From flat to oval, suitable for almost any shape of product



Perfect labels in next to no time – the HERMA Series D dispensers

HERMA 100 – Dispenser

- > Practical, fast and easy to use
- > The drive automatically feeds the next label
- > With backing paper take-up unit for smooth dispensing



HERMA 400 Fix – compact unit

- > High-tech manual system, based on the HERMA 400
- > Can be easily equipped with a product jig and thermal printer
- > Also suitable for intensive industrial use



No control cabinet required - HERMA 400



HERMA 400 – The Applicator.

The show piece of all labelling machines.

The unique, compact HERMA 400 applicator is designed to impress with its unbeatable versatility. One of a kind: regardless of the configuration, the basic drive unit with servo motor always remains the same. Only one unit means only one development, only one replacement part. Due to the wide variety of available modules, the HERMA 400 can be seamlessly integrated into any production line, or into a labelling machine specially customised to your requirements. The perfect solution for every task.



Everything under control

The clear operating display enables particularly convenient and easy configuration of your applicator.

The new Android app makes configuration impressively easy, including testing inputs and outputs as well as the transfer of firmware. Thanks to this app, touch-screen devices are easy to use as an external display for difficult-to-access installations and customer service requests. Laptop? Cable? Superfluous!



Complex encryption technologies and intelligent access controls simultaneously ensure comprehensive security at all times during production.

The HERMA 400 is being continually developed to make labelling even more flexible, convenient and efficient.



HERMA 400 standard configuration

For label reels with an outer diameter of 300 mm or 400 mm, ϕ backing paper roll 210 mm, reel core 3"/76 mm. Maximum labelling speed: 40 m/min.

Smooth rolling function

- > The special unwind equipment in the HERMA 400 model gives consistent tension, avoiding accuracy problems at the dispensing beak.
- > Unwind and rewind reels are largely identical in construction and offer the same reliability. The insertion and clamping processes are extremely user-friendly.



HERMA 400 standard configuration

HERMA 400 with motorised unwinder system

For label reels with an outer diameter of 400 mm or 500 mm, ϕ backing paper roll 290 mm, reel core 3"/76 mm.

- > Maximum labelling speed: 80 m / min
- > Maximum labelling speed with optional loop unwinder: 180 m / min

The motorised unwinder system.

High performance, high intelligence, reduced installation depth.

- > Flat: Just 58 installation depth
- > Intelligent: The unwinder system components adjust themselves automatically to the current task.
- > Fast: With a speed of 120 m/min, more than 120,000 labels can be easily produced per hour.



HERMA 400 with winder system

Intelligent communication between the HERMA 400 and the components of the winder system is enabled through a network via bus system - for even better performance.

HERMA 400 Rotary

Ideal for installing in your rotary machines – HERMA 400 Rotary

High speeds, maximum precision and minimum space requirements. The HERMA 400 rotary applicator gets the best out of your rotary machine. Integrated control and a compact design mean there is room for up to six labelling units per station.

HERMA 400 – components for rotary machines

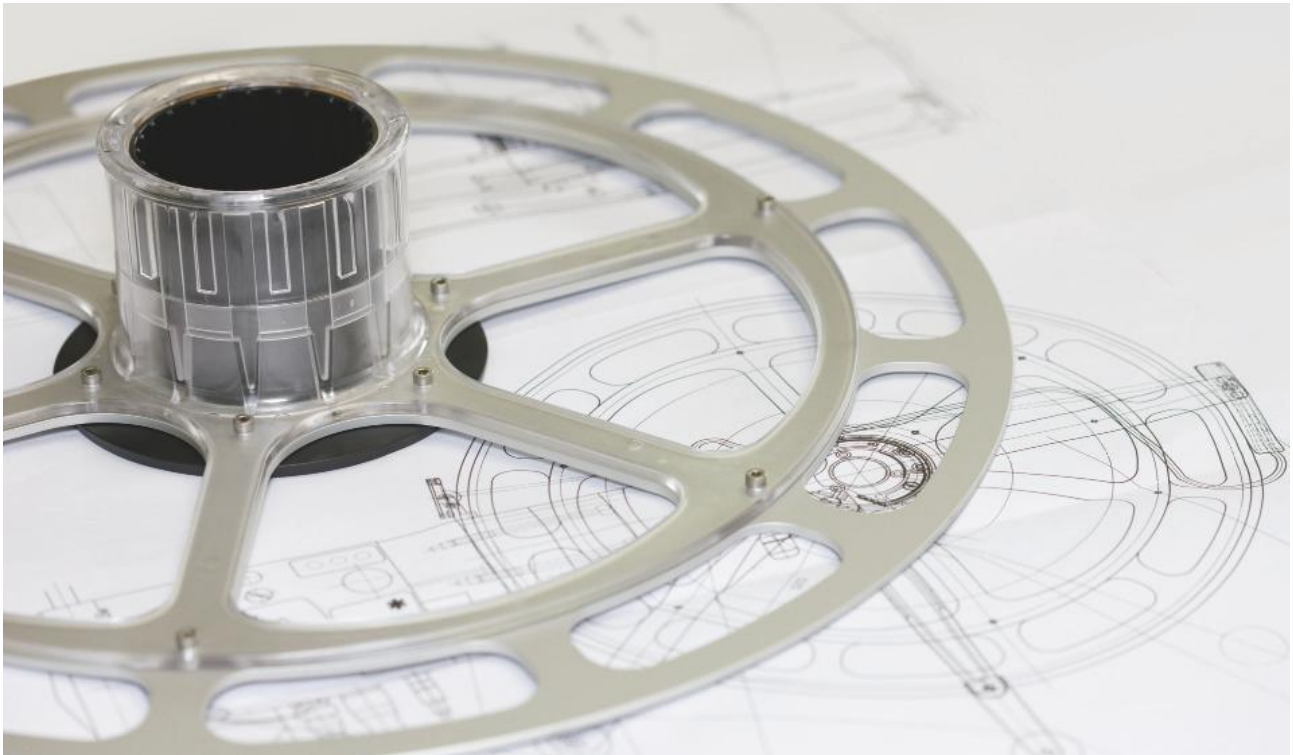
- > Suitable labelling module for any rotary machine
- > High labelling speed and maximum precision: 180 m/min
- > High labelling output: 1000 – 3000 labels per minute
- > Adjustable height and angle
- > Automatic speed synchronisation
- > Serial data connection option to higher-level control system
- > Controls completely integrated in the machine, no separate control cabinet



HERMA 400 Rotary

The advantages of the HERMA 400 models at a glance:

- > The controls are integrated in the machine – no separate control cabinet is necessary
- > Clear operating display
- > Wide range input 100 V AC ... 240V AC $\pm 10\%$, 50 Hz ... 60 Hz
- > Automatic synchronisation of label and product speed
- > Maximum positioning accuracy of 0.3 mm
- > Special unwinding equipment for consistent tension of the label tape
- > Sophisticated winder system with motorised units for winding and unwinding as well as loop formation, with a reduced installation depth of just 58 mm. Average winding speed of 120m/min, with automatic adjustment depending on the task.
- > Large selection of accessory modules: Pedestals, label scanners, printing and embossing units - always the right solution
- > Available in left and right-hand modules, for upright, horizontal or suspended operation, with widths in increments of 80 mm, up to 320 mm.
- > PLC connection – no problem
- > Transparent labels– no problem
- > Easy to extend
- > For all standard printers and hot foil printers
- > New: Integrated Bluetooth for optional remote control using a smart phone app (Android)



H400 module system

Dispensing systems

- > Dispensing beak with application roller
For labelling as the products pass, with spring-mounted roller to press the label onto the product.
- > Pivot beak with application roller
The solution for labelling uneven objects or objects with dimensional tolerances as they pass. Additional dispensing and transfer units available, for example the moving beak for pick and place labelling.

Label sensing systems

- > HERMA Sensor FS03
An extremely fast and efficient sensing system, specialised for transparent labels. Adapts to different materials and material strengths quickly and easily using the settings key.
- > Optoelectronic sensing unit
A contact-free sensing system which can be set quickly and easily using Auto-teach according to different levels of light permeability.

Printing systems

- > Hot foil printer
The ideal solution for high quality foil prints in any colour.

- > Thermal transfer printer

The variable printing system is set up for printing individual label information, consisting of plain text, bar codes or symbols. Simply integrate the printer of your choice.

- > Laser printer

CO₂ laser printer together with the laser-activated labels from HERMA - the perfect solution for everyone looking to reduce production costs as well as increase process safety. Reliable and low-maintenance, noticeably keeping unnecessary reductions in service life to a minimum. Can be integrated into all product lines. Can be networked with camera systems for continuous traceability. Extremely sharp print. No other supplies necessary. No refitting necessary when changing labels / formats. Option of printing the last label on the dispenser beak.

Installation options

- > Mounting pedestals

With various adjustment ranges along up to 3 axes and additional swivel function.

- > HERMA universal pedestal

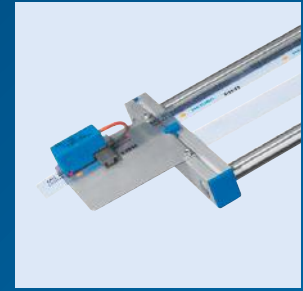
For easy top, side or bottom labelling. Movable (optional)



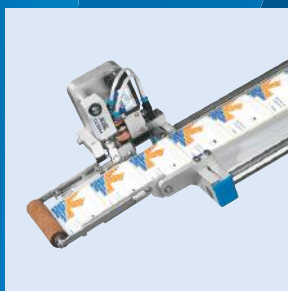
Dispensing beak with application roller



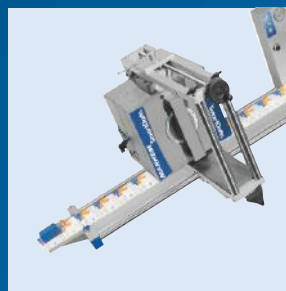
Hot foil printer



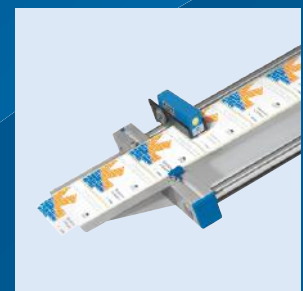
HERMA Sensor FS03



Pivot beak with application roller



Thermal transfer printer



Optoelectronic sensing unit



Mounting pedestals



Laser printer



HERMA universal pedestal



Individually customised – special solutions from HERMA

Special tasks require special solutions - an individual solution in a modular system. HERMA enables reliable and efficient innovations for every required use. These are examples of our many years of experience and market-leading expertise in self-adhesive technology.

A practical implementation of this is this labelling system which can be used for the seal and vignette labelling of folding boxes. The compact design of the labelling system allows for easy integration into existing production lines.

Just one of many examples of successful labelling partnership - more specialised and more diverse than almost anywhere else. Contact us



Combining what belongs together HERMA labelling systems

Anyone who can develop an idea to perfection from its beginnings earns some respect. This is why HERMA is recognised as one of the leading specialists in self-adhesive technology beyond the borders of Europe.

From the manufacture of the adhesive compounds, the finishing of the labels, even the sensational applications of laser-activated material, to the labelling machines themselves - HERMA has all the know-how.

We usually call someone professional when they are master of their field and develop with human values. You are invited to discover our world with its independent areas and participate in innovative ideas.



HERMA – headquarters in Filderstadt



HERMA adhesive compounds – the ideal basis for your labels.



HERMA industry labels – perfect for your labeller



HERMA - always there for you

HERMA labelling machines in Europe

If you have any questions or would like to discuss a specific project with us, we look forward to your call.

Germany

HERMA GmbH
Machinery Division
D-73779 Deizisau
Phone: +49 (0) 711 7702880
Fax: +49 (0) 711 7702786
Email: mail@herma.de

Austria

HERMA Etikettiersysteme
Ges. m. b. H.
Handelsstrasse 6
A-3130 Herzogenburg
Phone: +43 (0) 2782 20 130
Fax: +43 (0) 2782 20 130 22
Email: office@herma.at

France

HERMA France S. A. R. L.
45, Rue de la Liberté
78100 St. Germain en Laye
Phone: +33 (0) 139215580
Fax: +33 (0) 139215585
Email: contact@herma.fr

United Kingdom

HERMA UK Limited
The Hollands Centre,
Hollands Road
Haverhill, Suffolk CB9 8PR
Phone: +44 (0) 1440 763366
Fax: +44 (0) 1440 706834
Email: sales@herma.co.uk

For more information, go to www.herma-labeler.com

HERMA GmbH
Labelling Systems Division
73779 Deizisau – Germany
www.herma.com

