

Domino Large Character Coders

Reliable and robust solutions for large character coding



The Domino Macrojet 2 and CaseCoder have well earned reputations for delivering reliable and cost effective large character coding in a wide range of industries. A compact design with integral print head allows the CaseCoder to be mounted on many types of carton taping machines and production lines while the Macrojet 2 can drive up to four remote heads from a single base unit.



Compact carton coding with the Domino CaseCoder.

Key Benefits:

- Reliable coding in difficult, dusty or dirty environments
- Flexible, cost effective solution for a wide range of substrates
- Easy to use, with large ink capacity for minimum operator intervention and maximum Up-Time
- Macrojet 2 – prints in any orientation, suitable for a wide range of applications

Main Features:

- Sealed print head nozzles for maximum Up-Time in harsh environments
- Compact and robust design
- High volume ink system with choice of ink types and colours
- Sealed ink system for use with quick drying inks
Macrojet 2 – print heads can operate in any orientation and up to four heads can be driven from a single base unit
- CaseCoder – integral print head design



Macrojet 2. The industrial large character printer.



Low level print head option.

Maximum Productivity

- Reliable and robust design
- Continuous coding is a reality. Ink supplies can be replaced cleanly and easily during printing thereby avoiding unnecessary interruptions to production
- Non-porous surfaces are no problem. The unique head design allows fast drying inks (e.g. MEK based) to be used, producing sharp codes with maximum reliability
- Easily integrated into existing production facilities

User Friendly

- Ink replacement is quick and clean using the self-sealing connector. The large 5 litre supply makes this process infrequent
- Simple operator software makes message creation and storage error free. The data entry terminal can be removed for added security
- Automatic variables in the code (numbering sequences, time and date data) reduce the number of code changes required and ensure that the message is accurate
- Up to 50 messages can be prepared, checked and stored for later use helping to eliminate coding errors



Code a wide range of substrates.



Consistent print quality on non-porous substrates.

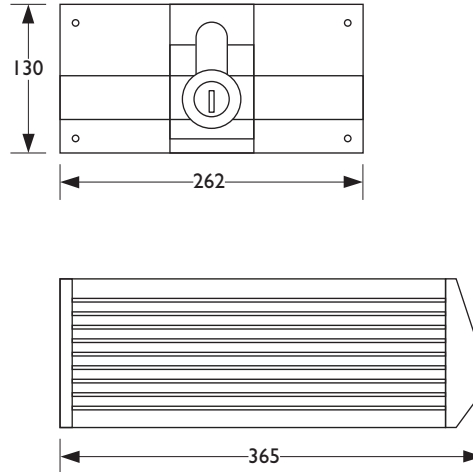
Print Qualities

- Capable of printing multiple lines of code onto many different surfaces. Can be used with a wide range of inks, which are suitable for porous and non-porous surfaces from metal and plastic to sacking, paper or timber
- Low level print head option for tray coding or printing near the base of products
- Print drop size can be adjusted for the substrate to be coded, offering the best print quality for the application

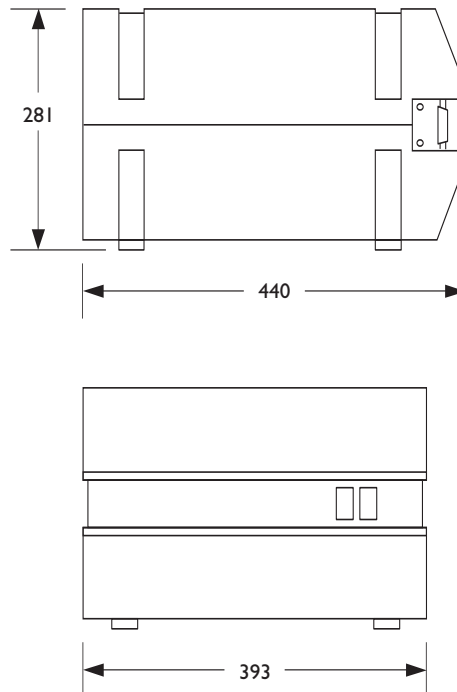
Dimensions:

All dimensions in millimetres

Casecoder Dimensions



Macrojet Dimensions



Technical Specification:

Dimensions	Macrojet 2	CaseCoder						
Control Unit								
Height:	281 mm						130mm	
Width:	393 mm						262 mm	
Depth:	440 mm						365 mm	
Weight:	25 kg						10 kg	
Construction:	Epoxy finished structural foam with RF screen							
Macrojet Print Head	Type A	Type B						
Height:	85 mm (7 drop)	111 mm (16 drop)						
Depth:	223 mm	269 mm						
Width:	70 mm	70 mm						
Weight:	1.8 kg	2.5 kg						
Conduit Length:	4 m standard, 8 m option	4 m standard, 8 m option						
Character Height	Type A	Type B			Single line			
	8 mm (5x5 matrix)	32 mm (16x10 matrix)			8 mm (5x5 matrix)			
	12 mm (7x5 matrix)	50 mm (16x10 matrix)			12 mm (7x5 matrix)			
	16 mm (7x5 matrix)							
	20 mm (7x5 matrix)							
					Twin line			
					8 mm (5x5 matrix)			
					12 mm (7x5 matrix)			
					32 mm (16x10 matrix)			
Throw Distance:	Maximum of 15 mm dependent upon product speed							
Macrojet Print Heads	Up to four print heads can be combined up to a total of 32 nozzles. Each character height requires a dedicated print head.							
Character Control	Adjustable drop size. Invert, reverse and bold characters. Adjustable character width. Print Delay. Product counter. Real time clock (time and date). Serial Numbering up to 8 digits. Multi-language characters, customer logos and symbols. Auto message repeat.							
Ink System	Disposable ink supply 5 litre container. Fast clean ink changes. No down time for ink top up. Ink available for coding on porous and non-porous surfaces. Integral pump; no requirement for factory air. Minimal waste is generated with this system, as it uses a depleting bag in box ink supply. This allows safe and non-contact changing of new ink supplies							
Ink options:								
Solvent Base	Properties	Surfaces	Black	Blue	Red	Green	Yellow	Clear
Methyl Ethyl Ketone	Fast drying, excellent adhesion and end user properties on most surfaces	A wide range of plastics including shrink-wrap, metals, concrete, timber, paper and board products.	✓	✓	✓	✓	✓	✓
Alcohol	Moderate drying times, excellent end user properties	Metals, some plastics, timber, paper and board products	✓	✓	✓			
Water	Moderate drying times on porous surfaces, excellent end user properties	Many absorbant surfaces including paper and board products	✓	✓		✓		
Data Input	Pocket terminal. Interface: RS232. Domino software. Data retention during power off							
Standard Connections								
Product Detector:	5 Pin AXR 12V, 100mA for photocell or proximity sensor							
Shaft Encoder Input:	Suitable for open collector or TTL encoders 5 Pin AXR							
External Alarm:	One output via N/O relay contacts 2.5A at 60V max non-inductive							
Environment								
Temperature Range:	5 to 45°C operating							
Humidity:	10-90%RH							
Electrical Requirements:	78VA maximum, 50-60Hz, 6 position voltage selector (non-condensing) 110-260V							

Domino Worldwide

Through an extensive global network of subsidiaries and distributors, Domino operates in over 120 countries. This network offers customers both sales support and access to highly skilled service teams, providing technical support packages to suit the varying production environments and customer requirements across the world.



Australia

Domino (Australia) Pty. Ltd.
Unit 12
6 Gladstone Road
Castle Hill
Sydney
NSW 2154
Tel: + 61 2 9894 7833

Canada

Domino Printing Solutions Inc.
2751 Coventry Road
Oakville
Ontario
L6H 5V9
Tel: + 1 800 387 7972

China

Domino Coding Ltd.
No. 1150 yun Qiao Road
Jin Qiao Export Processing Zone
Pudong
Shanghai 201206
Tel: + 86 21 5050 9999

France

Domino SAS
ZA du Bel Air
2 Rue Mege Mouriès
78120 Rambouillet
Tel: + 33 1 3046 5678

Germany

Domino Deutschland GmbH
Lorenz-Schott-Strasse 3
55252 Mainz-Kastel
Tel: + 49 61 34 25 050

India

Domino Printech India
Private Limited
167, Udyog Vihar Phase I,
H.S.I.D.C Gurgaon -
122016 Haryana
Tel: + 91 124 500 7406

Mexico

Domino Printing México
SA de CV
Calle 3 No. 47 Local 6F Col.
Industrial Naucalpan
53370 Edo. De México
Tel: + 52 55 5576 7979

Netherlands

Domino Amjet BV
Ambachtsweg 8
3991 LH Houten
Tel: + 31 30 636 3333

South Korea

Domino Korea Pte Ltd
1st-3rd Floor
Rich Town Building
#694 Bokjeong-dong,
Sujeong-gu,
Seongnam-city, Gyeonggi-do
461-200
Tel: + 82 2 797 1811

Spain

Domino Amjet Ibérica S.A.
Avenida Fuente Nueva No 14
28700 S.S. de los Reyes
Madrid
Tel: + 34 91 654 2141

United Arab Emirates

Domino UK Ltd (Dubai)
PO Box 16984
Jebel Ali
Dubai
Tel: + 971 4 88 35003

United Kingdom

Domino UK Ltd
Bar Hill
Cambridge
CB3 8TU
Tel: + 44 1954 782 551

United States of America

Domino Amjet, Inc.
1290 Lakeside Drive
Gurnee
Illinois 60031
Tel: + 1 800 486 7351



www.domino-printing.com

