

M230i-TB

Fast and flexible Print & Apply labelling

M230i-TB4 and **M230i-TB6** will give you one of the most flexible and safe Print & Apply solutions on the market. With a high speed tamp applicator, designed with built-in blow function, you can label up to 100 products/minute without touching the product. Designed for high speed applications, typically used in beverage and food applications, the solution is preferred when non-contact labelling is needed.



Performance

- ◆ Automatic stroke adaptation to product distances up to 360 mm optimises your throughput.
- ◆ Label Check sensor ensures the label does not get lost, ensuring customer satisfaction for your end user.
- ◆ Adjustable dispensing beak option for increased throughput.



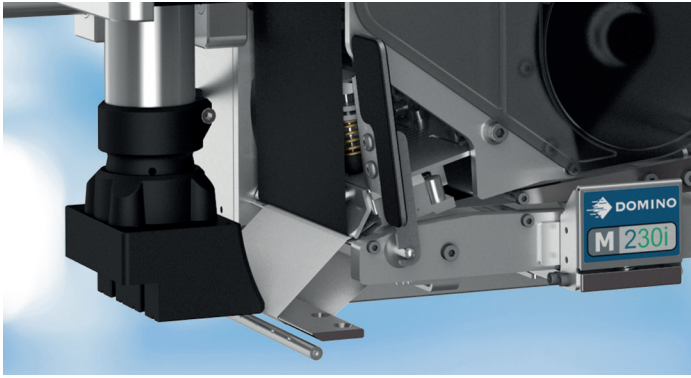
Maximum uptime

- ◆ 600 m ribbon & label roll capacity within a compact footprint.
- ◆ Unique pad design allows for any label variation without changeover.
- ◆ Simple preventative maintenance access points.
- ◆ Easy to change long life thermal print heads.



Safer by design

- ◆ Innovative pinch point protection to prevent incidental contact injuries.
- ◆ Autostop feature to prevent damage in the event of an obstruction.
- ◆ Air loss detection and protection against system damage.



Higher throughput with adjustable dispensing beak

To improve cycle time an adjustable dispensing beak can be mounted to the printer. When doing this, the printer is printing one or more labels ahead and does not have to reverse the backing paper before printing the next label.

This is useful in batch labelling where a high throughput is essential, for example in the beverage and food industries.



Optional *TouchPanel* User Interface

For effortless control and status reporting *TouchPanel* is our unique, simplified operator interface that gets the printer into action quickly and simply. No complex menus or parameters, just enter the job and away you go.

- ◆ Quick access to favourite menus and settings via large user-friendly icons and customisable home screen.
- ◆ Easy prompted input of data into label templates.
- ◆ Speed up changeovers and help eliminate coding selection errors with simplified Message Store and live WYSIWYG preview.

Technical Specification

For labelling on the top, side or bottom, the **M230i-TB4** and **M230i-TB6** can be configured to suit your specific needs. All M-Series units are equipped with a powerful Printer Control Unit (PCU).

	M230i-TB4	M230i-TB6
Print width	108 mm (4")	162 mm (6")
Print technology	Thermal Transfer / Direct Thermal	
Resolution	12 dots/mm (300dpi)	
Orientation	Left hand or Right hand	
Label & Ribbon lengths	Up to 600 m	
Typical capacity	82 labels/min	45 labels/min
Distance to product (to center of pad)	Up to 330 mm	
Label sizes (WxL)	50x30 mm - 150x100 mm	
Dimensions (HxWxL)	Min: 625 x 272 x 560 mm Max: 762 x 272 x 641 mm	Min: 625 x 327 x 560 mm Max: 762 x 327 x 641 mm

	PCU
Communication	2xRS232, 1xUSB 2.0, Ethernet
I/Os (configurable)	10 Inputs and 10 Outputs
User interface	Graphical display with 25 languages
Dimensions (HxWxL)	130x280x405 mm

M230i-TB4



www.domino-printing.com